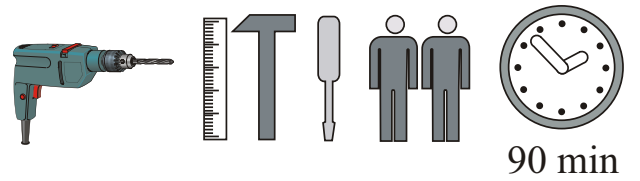
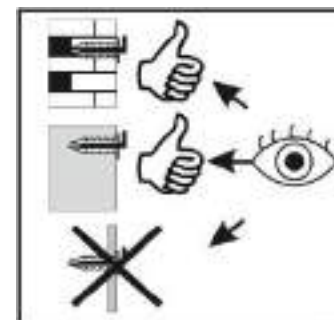
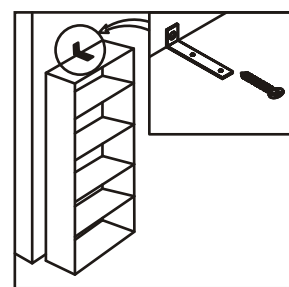
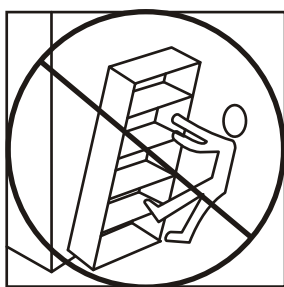
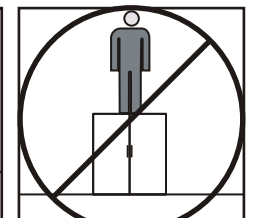
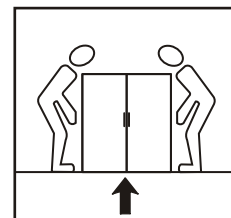
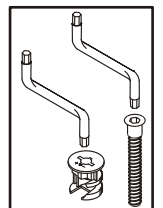
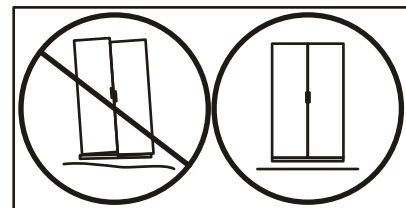
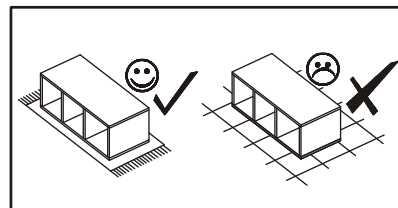
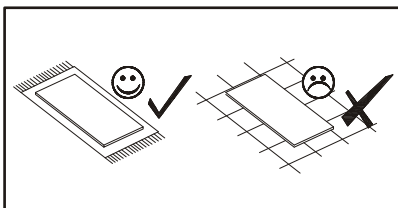
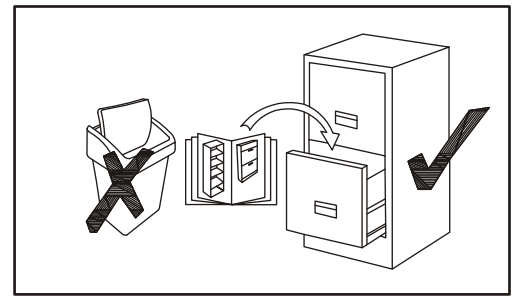
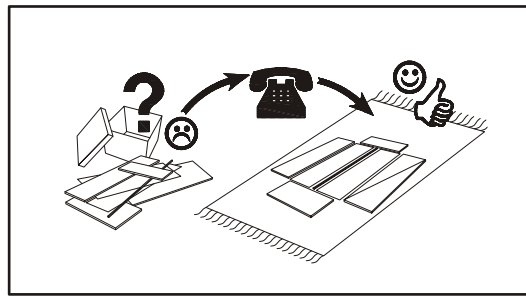
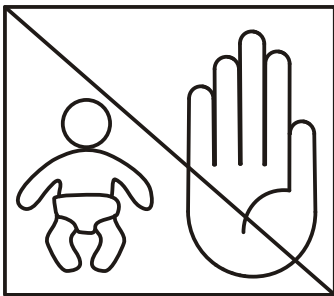
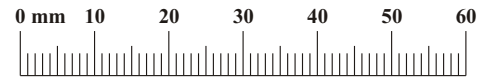


NO	Dim.		Col.-No	Qty
1	794	424	1	1
2	800	360	1	1
3	800	360	1	1
4	398	359	1	1
5	398	359	1	1
6	398	343	1	1
7	373	293	2	1
8	779	411	1	1
10	800	360	1	1

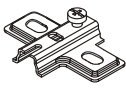



90 min

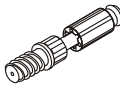
G5 x12		T1 x4 50x50x20mm		E2 x2 H=0		E21 x2 Ø35 H=0		E1 x4 ø6,3x13	
N1 x2		K1 x8		BO1 x1 128mm		B4 x12		B5 x12 ø15x12	
S1 x10		G2 x1		A1 x12 ø8x30		KR2 x20 USØ3,5x30		D10 x14 USØ3,5x16	
O1 x2									

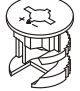


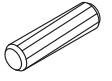
1

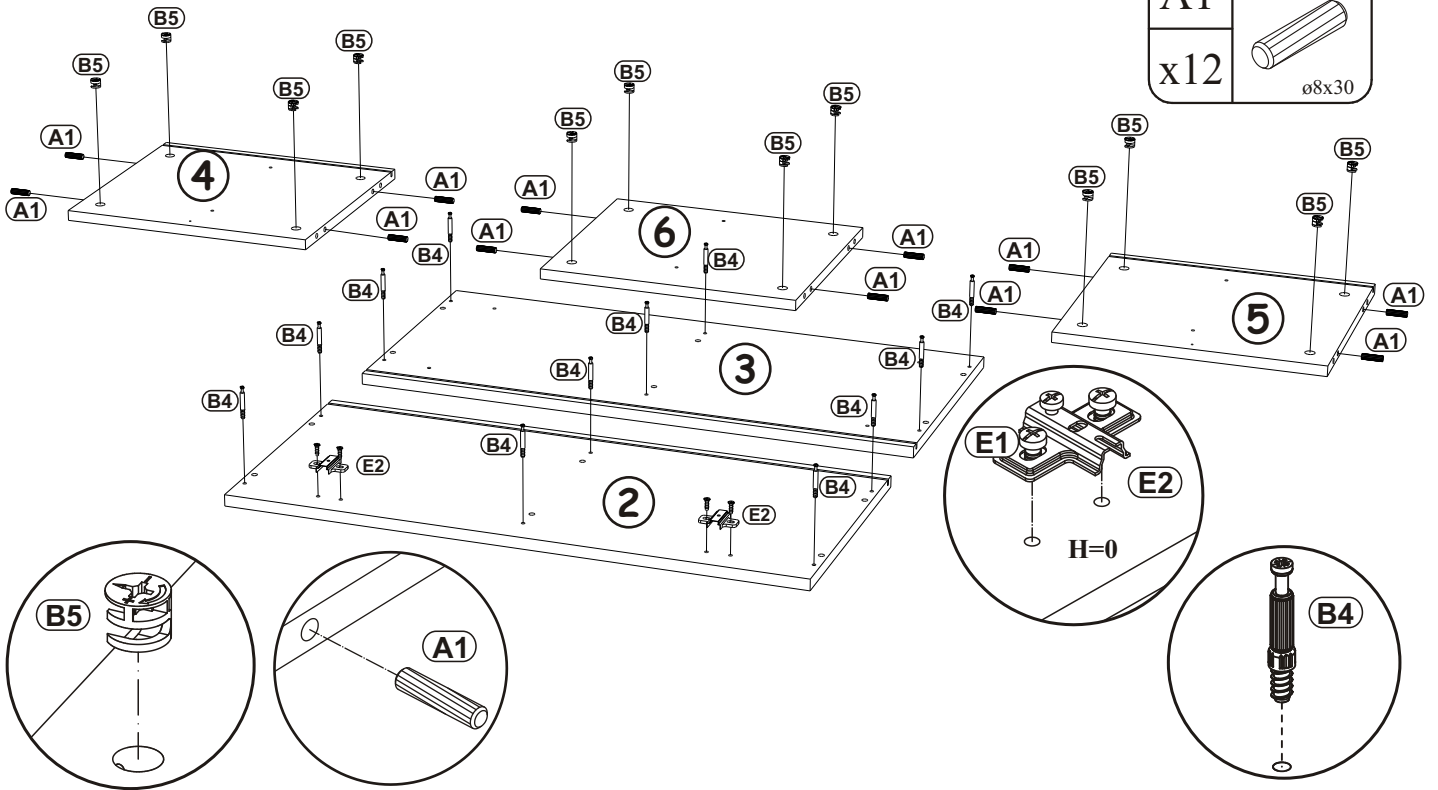
E2	
x2	H=0

E1	
x4	ø6,3x13


B4	
x12	

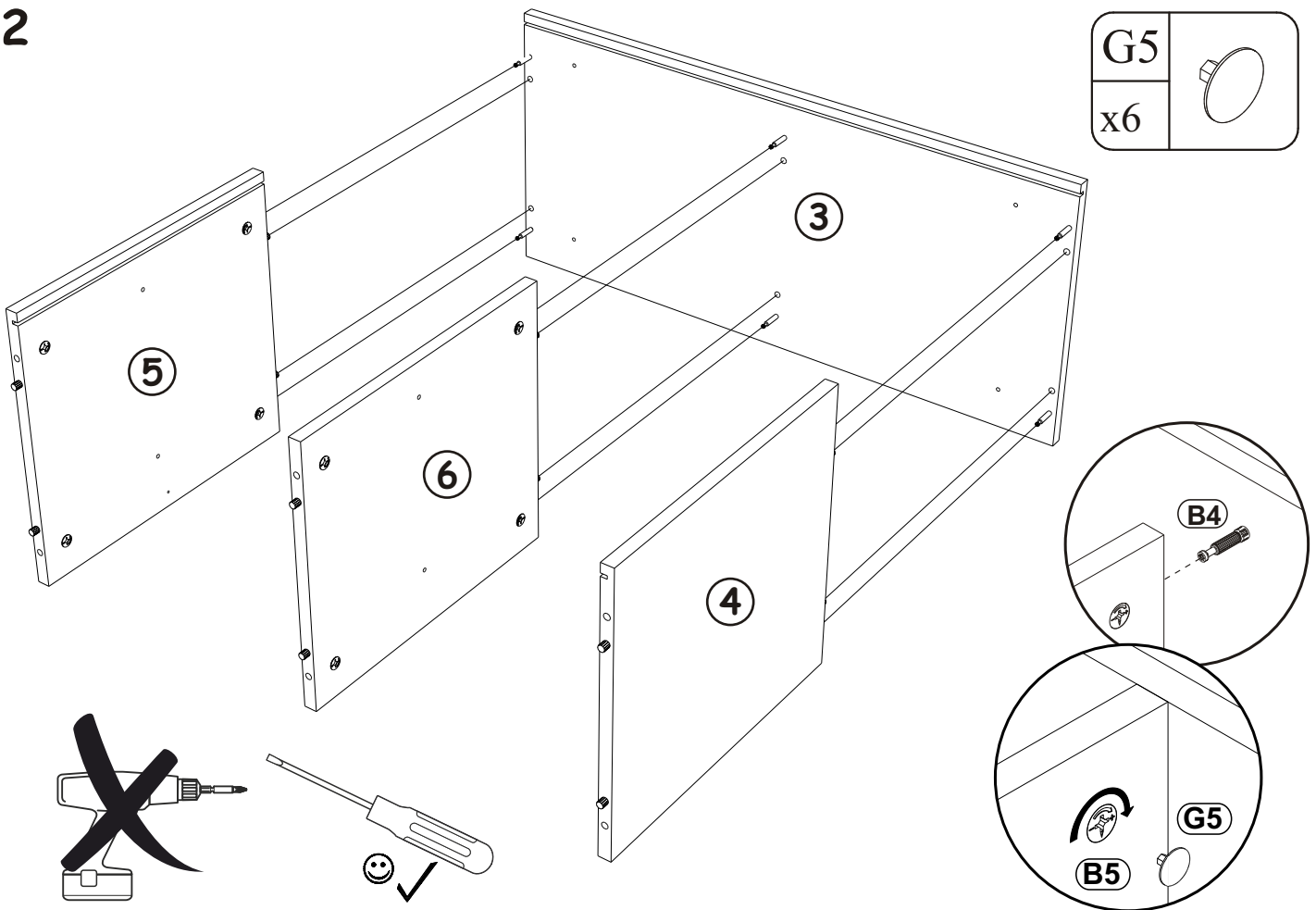
B5	
x12	ø15x12

A1	
x12	ø8x30

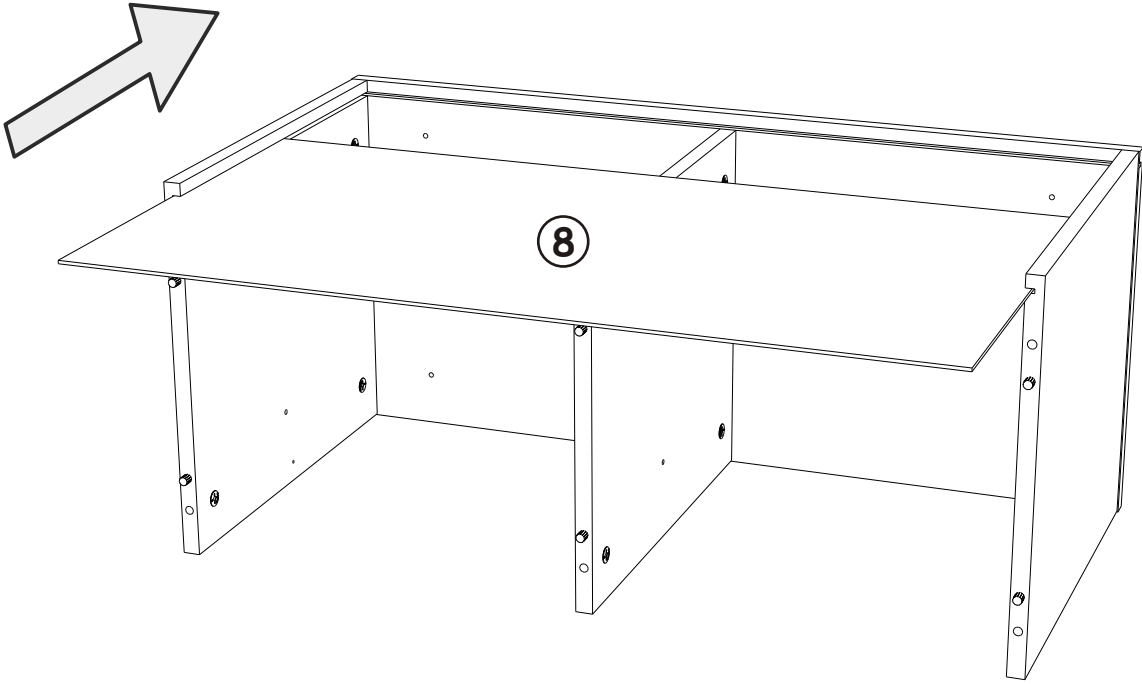


2

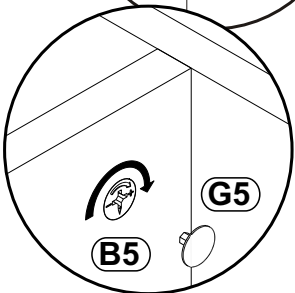
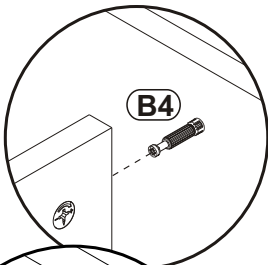
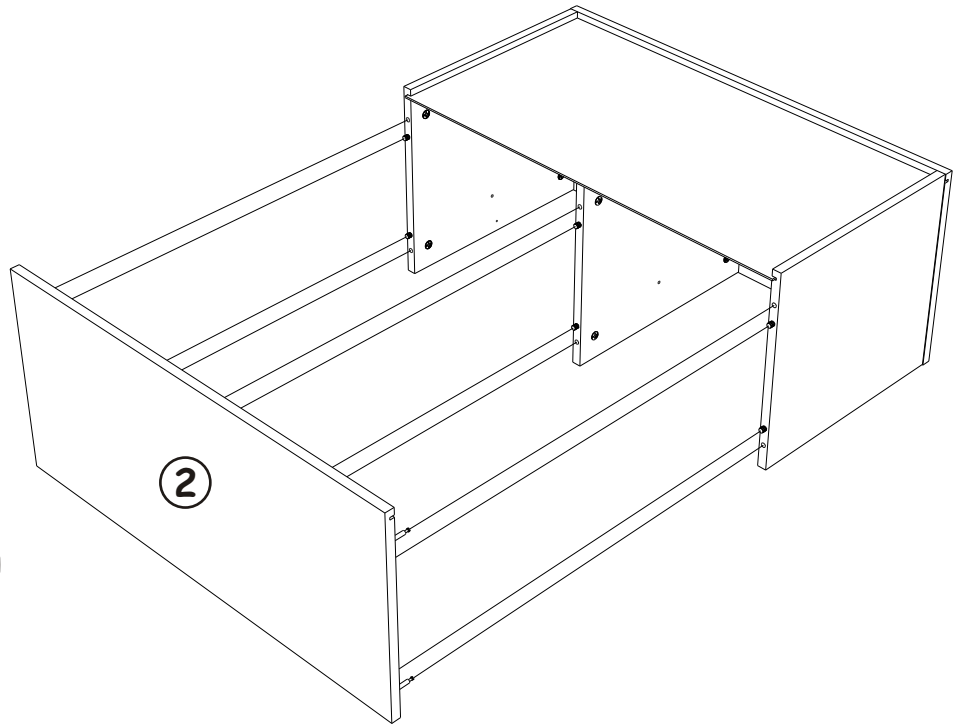
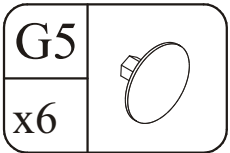
G5	
x6	



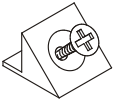
3

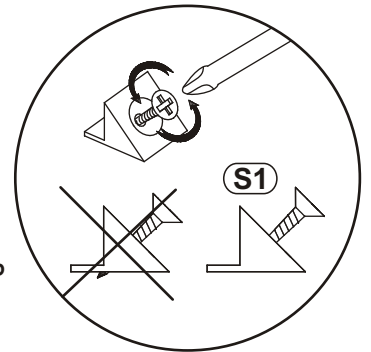
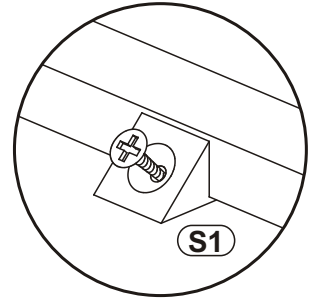
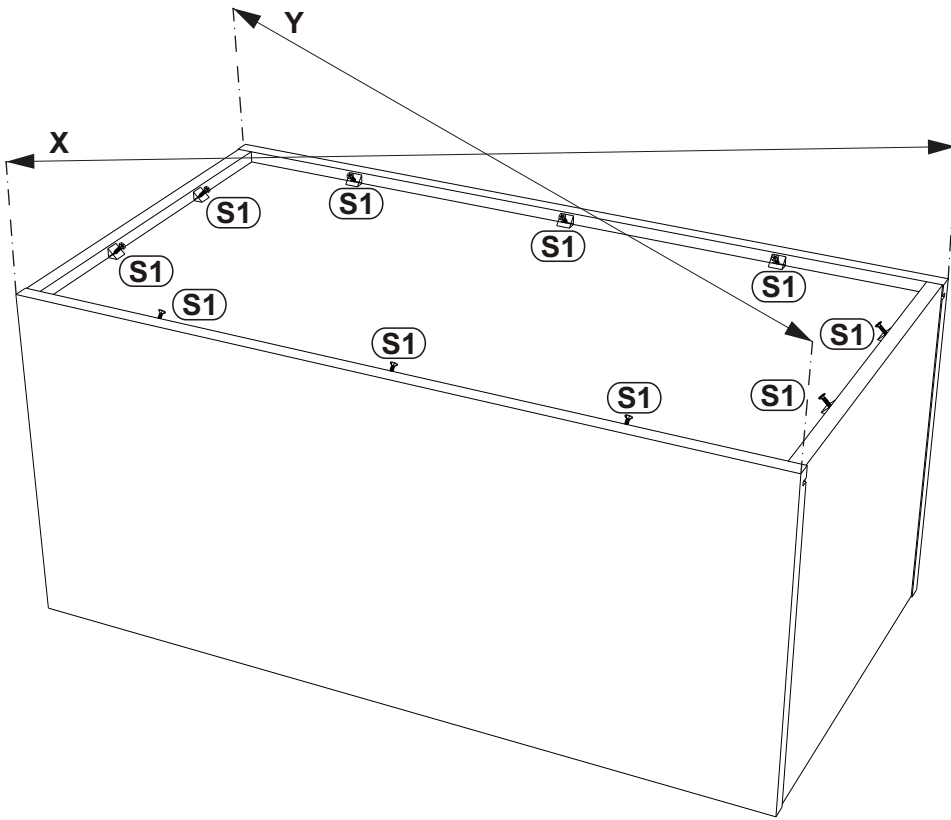


4



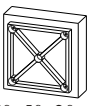
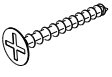
5

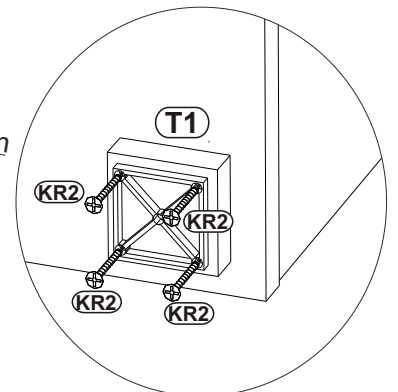
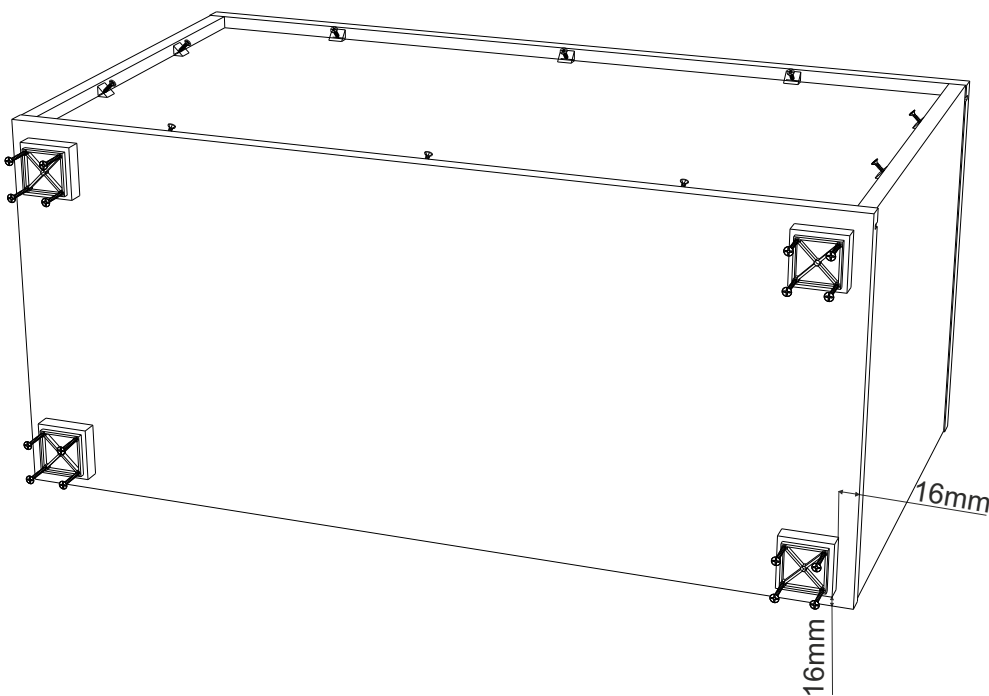
S1	
x10	



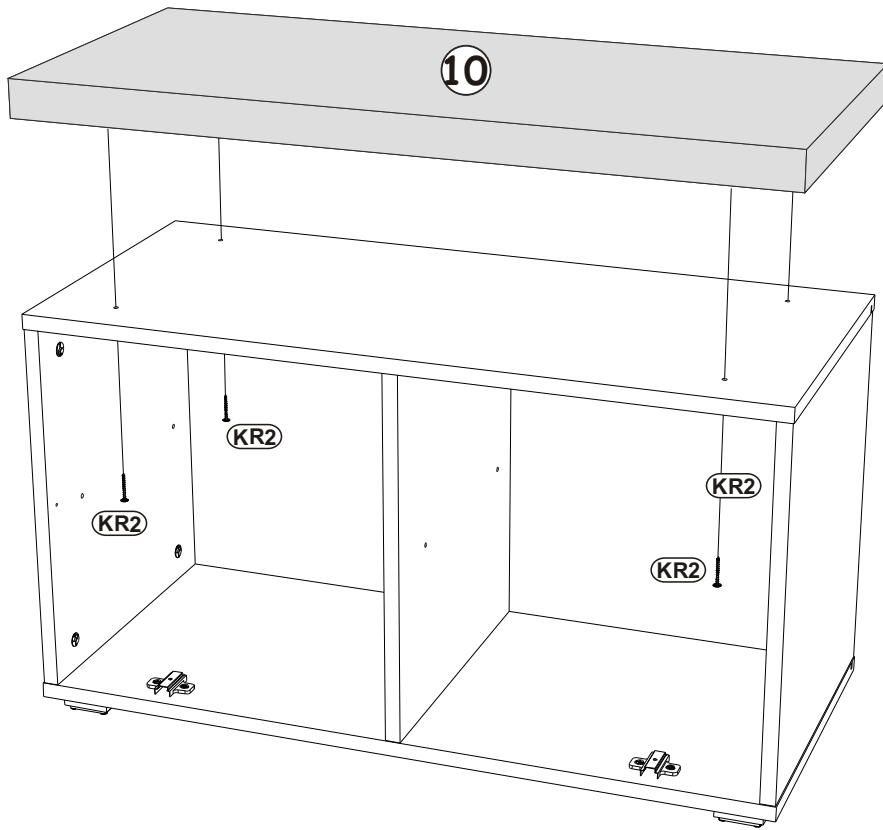
 $X=Y$ $\uparrow 90^\circ$

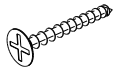
6

T1		KR2	
x4	50x50x20mm	x16	USØ3,5x30

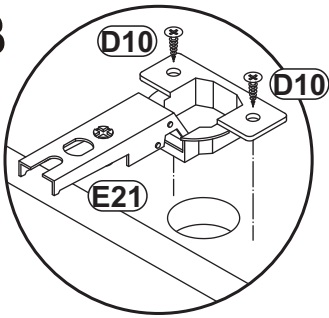


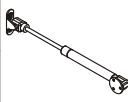
7

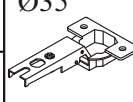



KR2	
x4	USØ3,5x30

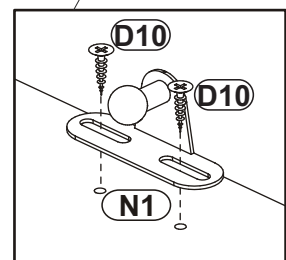
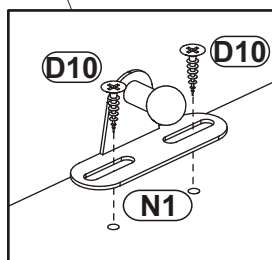
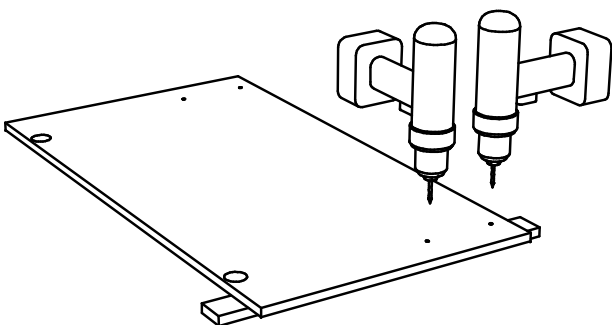
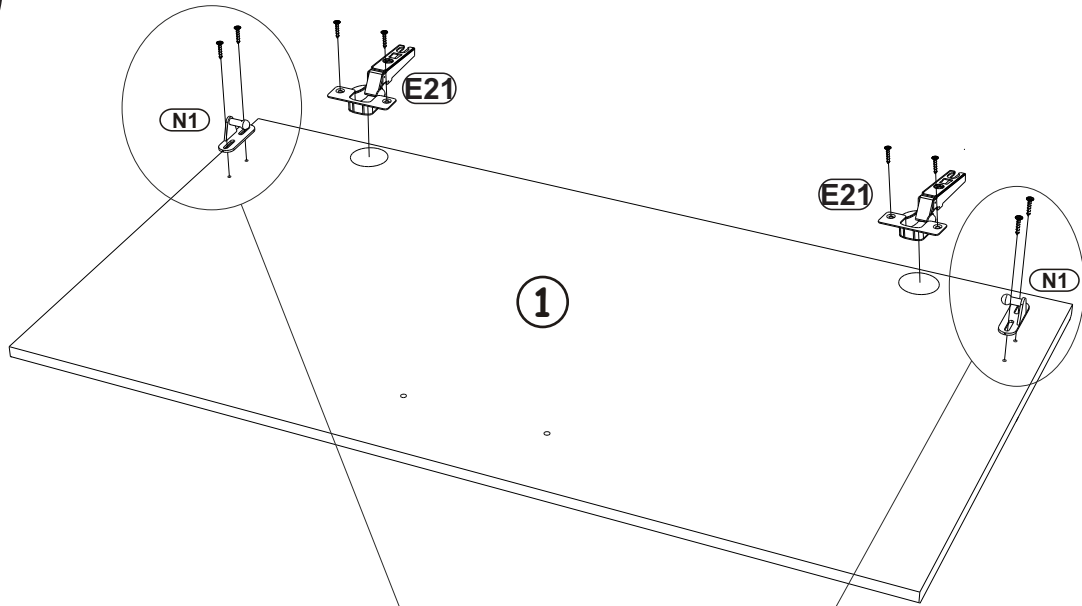
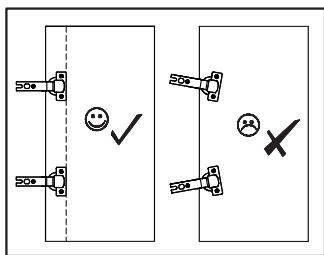
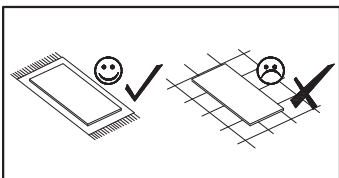
8



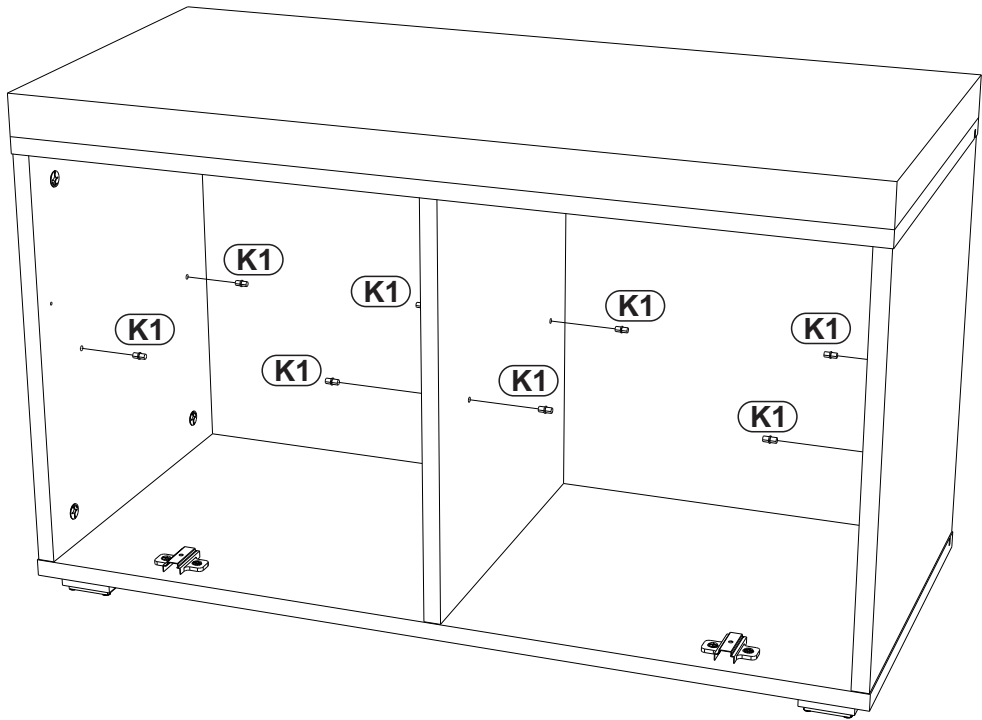
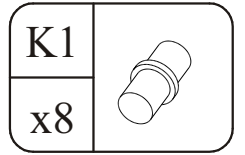
N1	
x2	

E21	
x2	Ø35 H=0

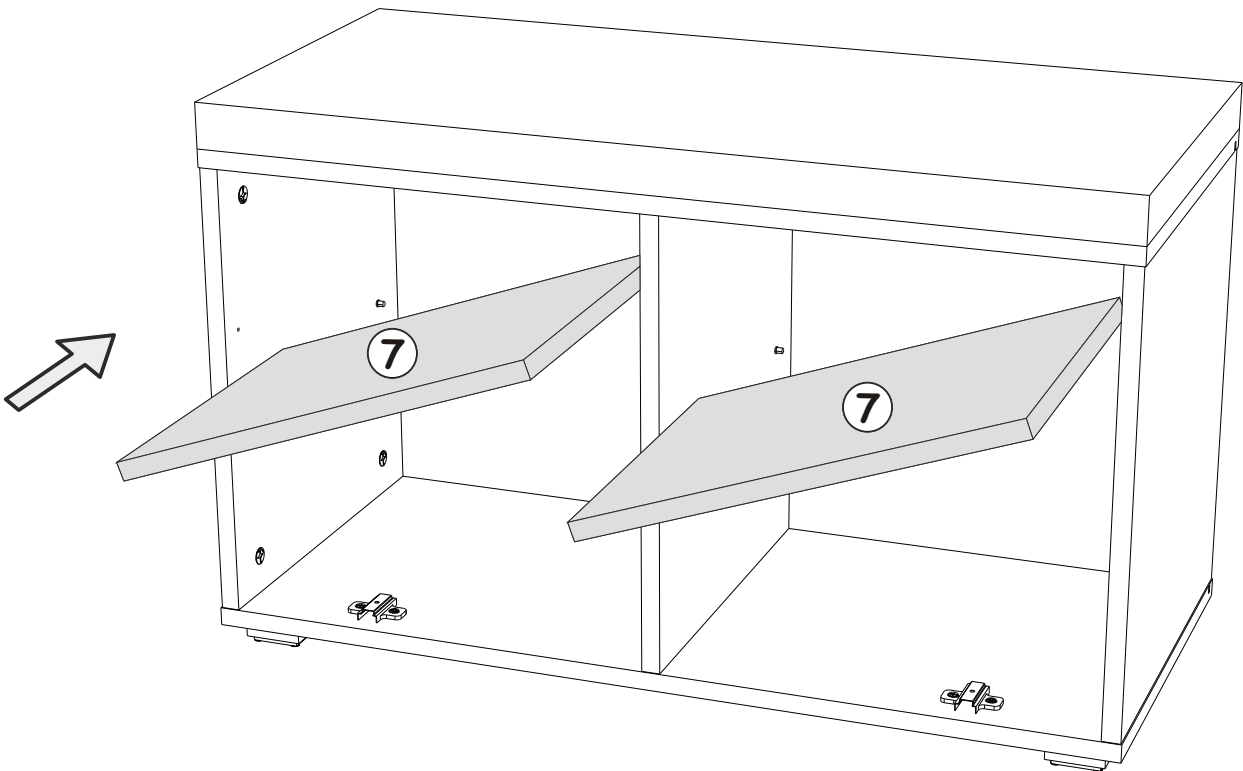
D10	
x8	USØ3,5x16



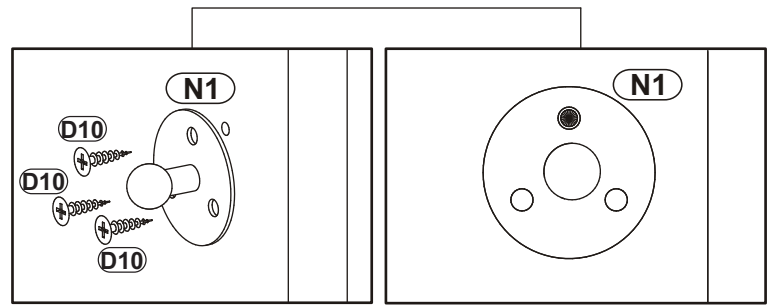
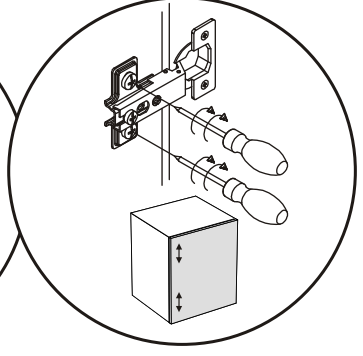
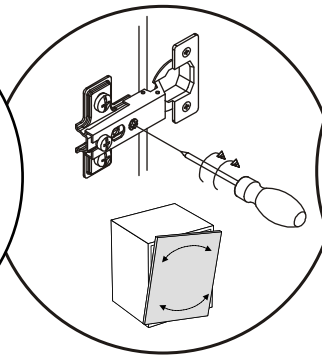
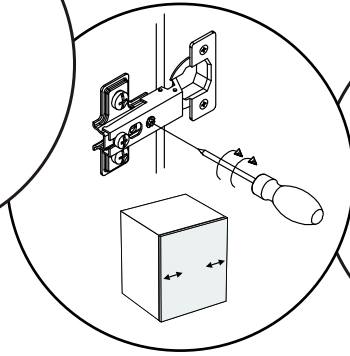
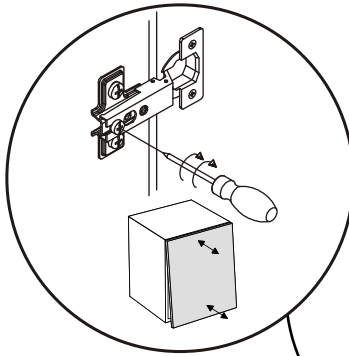
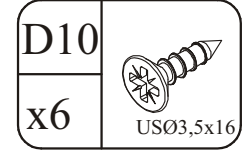
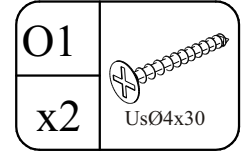
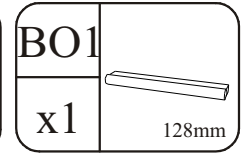
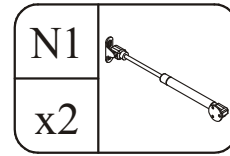
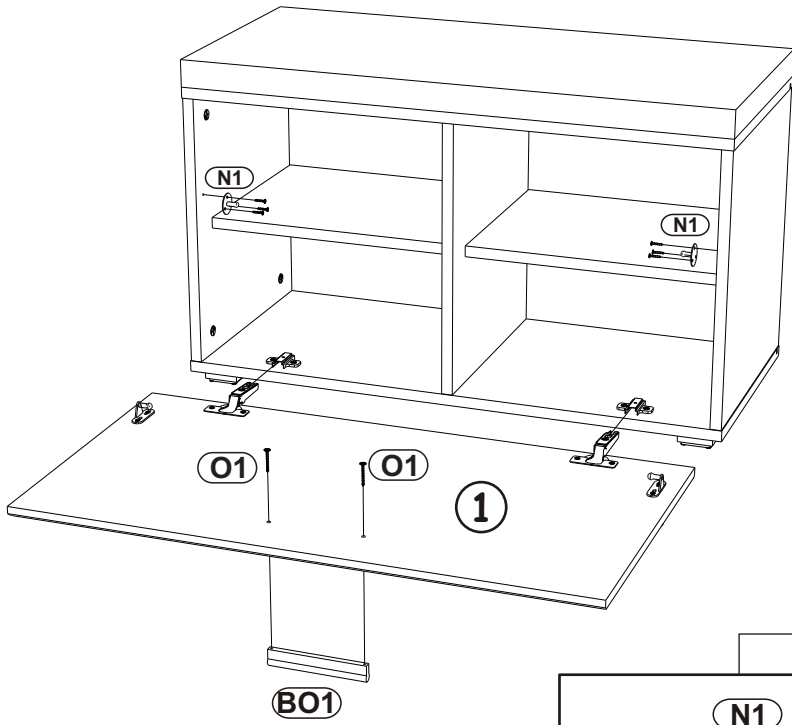
9



10



11



12

